



74TH IMESA CONFERENCE 2010

PROGRAMME

MONDAY 25 OCTOBER 2010

09:30 to 16:00 IMESA exco meeting

TUESDAY 26 OCTOBER 2010

10:00 to 16:00 Pre-conference workshop on infrastructure asset management at the East London Golf Club

10:00 to 12:30 IMESA council meeting

12:00 to 18:00 Golf day

14:00 to 18:00 Registration at the East London International Convention Centre

19:00 Welcome function

WEDNESDAY 27 OCTOBER 2010

07:30 to 17:00 Registration

08:00 Exhibition opens

08:30 to 10:00 Session 1: Opening – Chairperson: IMESA president

08:30 to 08:40 Opening by programme director

08:40 to 08:55 Welcome by IMESA president

08:55 to 09:25 Keynote address: Geoff Doidge, minister of public works – MP

09:25 to 09:30 Vote of thanks to minister

09:30 to 10:00 Invited speakers:
Douglas Sipeliti: *Entrepreneurship – Meeting Service Delivery Challenges*
Tom Wanklin: *Spatial Development Plan for the Eastern Cape*

10:00 to 10:40 Tea

10:40 to 12:30 Session 2: Infrastructure introspection – Chairperson: Felix Fongoqa

10:40 to 11:00 Paper 1: Roger Byrne: *Determining What Level of Service Customers and Funding Agencies Can Afford*

11:00 to 11:20 Paper 2: Kevin Wall: *The SAICE Infrastructure Report Card*

11:20 to 11:40 Paper 3: Sarah Slabbert: *What Are Your Rights? Legal Aspects of Municipal Services from the Perspective of the Domestic Consumer*

11:40 to 12:00 Paper 4: Christopher von Holdt: *The Development of a Risk Based Maintenance and Rehabilitation Budgeting Model for the City of Tshwane*

12:00 to 12:30 Discussion

12:30 to 12:40 Gold sponsor

12:40 to 14:00 Lunch

14:00 to 15:30 Session 3: Innovative interventions – Chairperson: Frank Stevens

14:00 to 14:20 Paper 5: Matt Braune: *Improved Service Delivery: The Innovative Flood Incident Management Plan*

14:20 to 14:40 Paper 6: Harold Basson: *Drought Crisis Management, Challenges and Solutions: Southern Cape, George*

14:40 to 15:00 Paper 7: Keith Turner: *Sedgefield Water Augmentation Case Study*

15:00 to 15:30 Discussion

15:30 to 16:00 Tea

16:00 to 17:00 Session 4: Appreciating our assets – Chairperson: Leon Naude

16:00 to 16:20 Paper 8: Willem Pretorius: *Asset Registers and Asset Management – What Are the Demands on the Municipal Engineer?*

16:20 to 16:40 Paper 9: Friedrich Slabbert: *Capacity Building in a Municipal Environment: What Have We Learned over the Last Five Years?*

16:40 to 17:00 Discussion

17:15 Annual general meeting

THURSDAY 28 OCTOBER 2010

07:30 to 15:30 Registration

08:00 Exhibition opens

08:30 to 10:00 Session 5: The power of partnerships – Chairperson: Moses Maliba

08:30 to 08:50 Paper 10: Sandra Greijling: *Competence-Based Approach Proposed for Local Government Skills Audit and Skills Development*

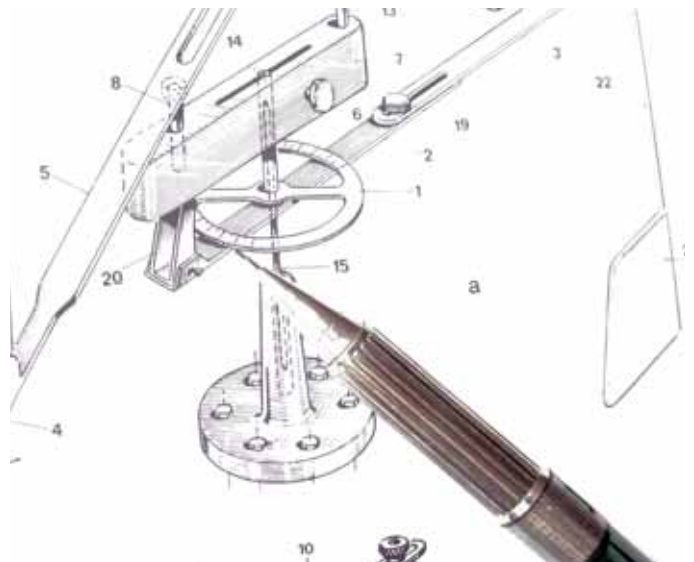
08:50 to 09:10 Paper 11: Kevin Wall: *Private Sector Potential to Assist with Municipal Infrastructure O&M*

09:10 to 09:30 Paper 12: Stewart Gibson: *Service Delivery Solutions for Water Services (Learning from Private Business)*

09:30 to 10:00 Discussion

10:00 to 10:40 Tea

10:40 to 12:30 Session 6: Window on water – Chairperson: Graham Cowley



10:40 to 11:00 Paper 13: **Khuthalile Mahlaba** – *Designing an Innovative Way to Support WSAs to Deliver Water Services in Resource-Poor Municipalities*

11:00 to 11:20 Paper 14: **Allestair Wensley** – *Benchmarking and Tracking of Water Losses in all Municipalities of South Africa*

11:20 to 11:40 Paper 15: **Rudi Scheepers** – *How Can the "Green Drop" Results Trickle Down to Good Effect?*

11:40 to 12:00 Paper 16: **Jonathan Denison**: *Chris Hani Pilot Project – Taking Human Settlements Policy into Rural Subsidy Practice*

12:00 to 12:30 Discussion

12:30 to 12:40 Gold sponsor

12:40 to 14:00 Lunch

14:00 to 15:10 Session 7: **Reviving our roads** – Chairperson: **André Muller**

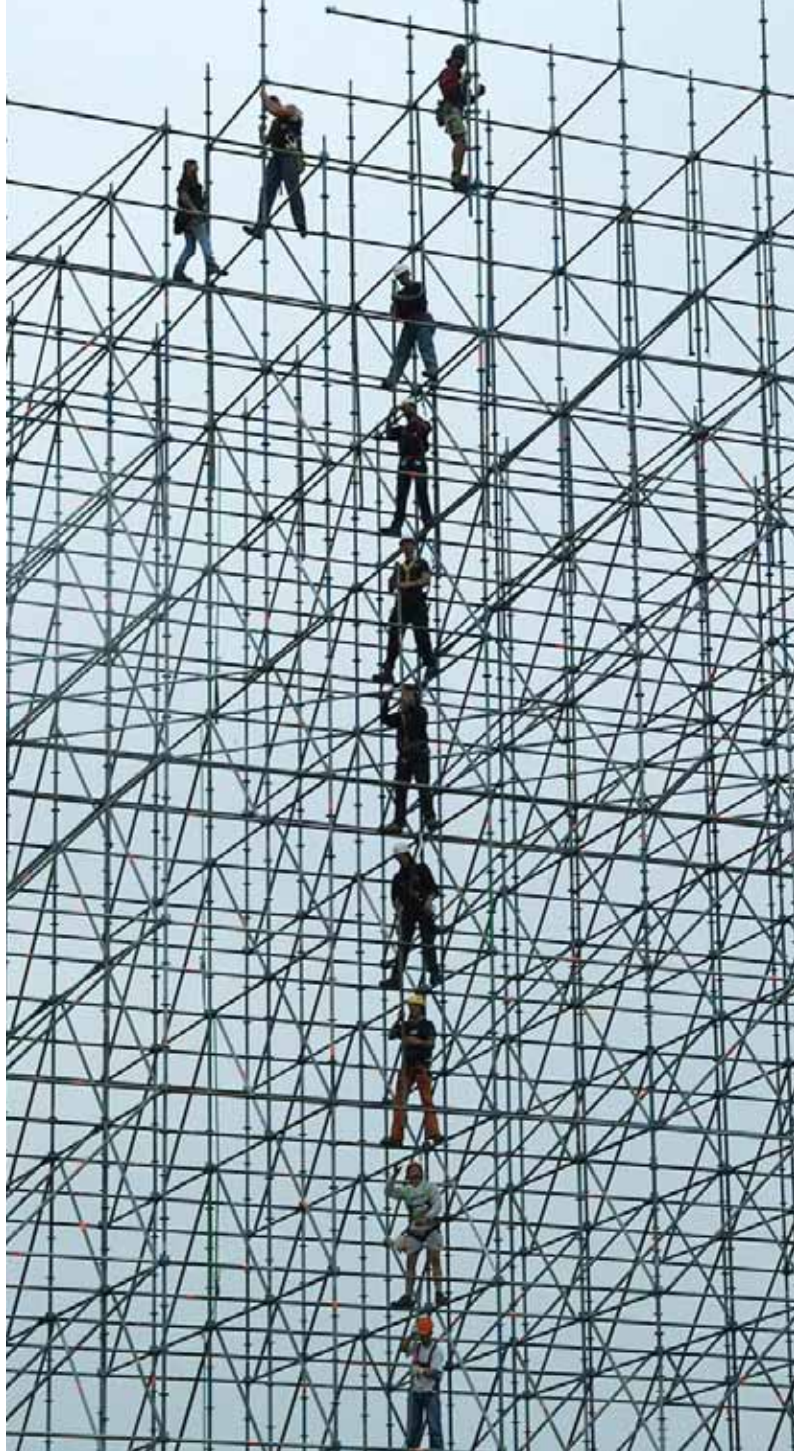
14:00 to 14:20 Paper 17: **Julian Maastrecht**: *Performance of Ngcingcinikhwe Village Concrete Geocell Access Road*

14:20 to 14:40 Paper 18: **Oscar Kunene**: *Road Infrastructure Within the Port of Durban*

14:40 to 15:10 Discussion

15:10 to 17:00 Technical tour: East London IDZ

19:00 Gala dinner and excellence awards at the East London International Convention Centre



FRIDAY 29 OCTOBER 2010

07:30 to 09:00 Registration

08:00 Exhibition opens

08:30 to 09:30 Session 8: **Reviving Our Roads** – Chairperson: **Johan Basson**

08:30 to 08:50 Paper 19: **Lucas-Jan Ebels**: *Construction of an Ultra-Thin Continuously Reinforced Concrete Pavement*

08:50 to 09:10 Paper 20: **Simon Tetley**: *Road Maintenance – Current Practice and a Modus Operandi for Addressing Service Delivery*

09:10 to 09:30 Discussion

09:30 to 10:10 Guest speaker: **Peter van Kets**: *Taking Ownership of Your Life*

10:10 to 10:50 Tea

10:50 to 12:10 Session 9: **Conference Review and Plotting the Way Forward** – Chairperson : **Wiero Vogelzang**

12:10 to 12:40 Closing

12:40 to 14:00 Lunch

Trenchless Technology Specialists



TT INNOVATIONS
PIPELINE TECHNOLOGY



Our range of services include:

- Pipe Bursting
- Horizontal Directional Drilling
- Pipe Rehabilitation
- Slip Lining
- Pipe Ramming
- CCTV Inspection
- Dewatering
- Industrial Pipe Cleaning
- HDPE Welding
- Deep Excavation and Shoring
- Underground Service Detection
- Close-fit lining: **COMPACT PIPE**